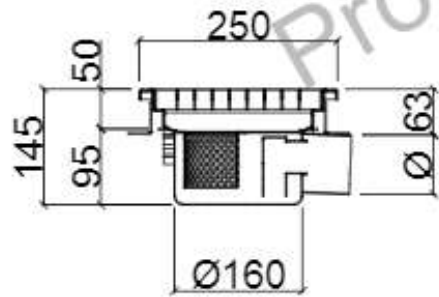
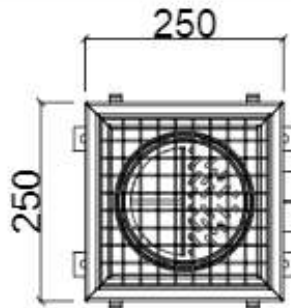
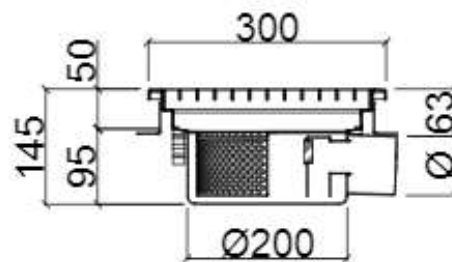
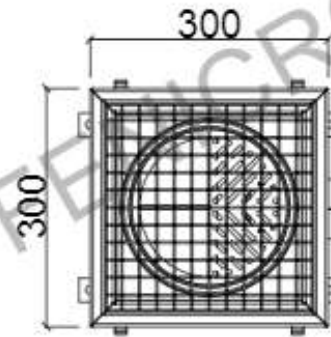


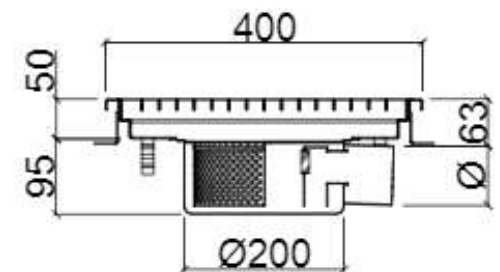
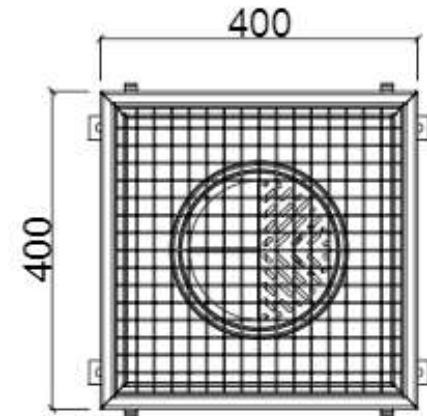
LOW TYPE			
MODEL	W x L	Ø	
		DN50	DN70
TYG-22	250 x 250	Ø50	Ø75
Max. Flow Rate	lt / min	50	50
Waterseal Height		50mm	



LOW TYPE			
MODEL	W x L	Ø	
		DN50	DN70
TYG-33	300 x 300	Ø50	Ø75
Max. Flow Rate	lt / min	50	50
Waterseal Height		50mm	



LOW TYPE			
MODEL	W x L	Ø	
		DN50	DN70
TYG-44	400 x 400	Ø50	Ø75
Max. Flow Rate	lt / min	50	50
Waterseal Height		50mm	



APPLICATION DRAWING

